



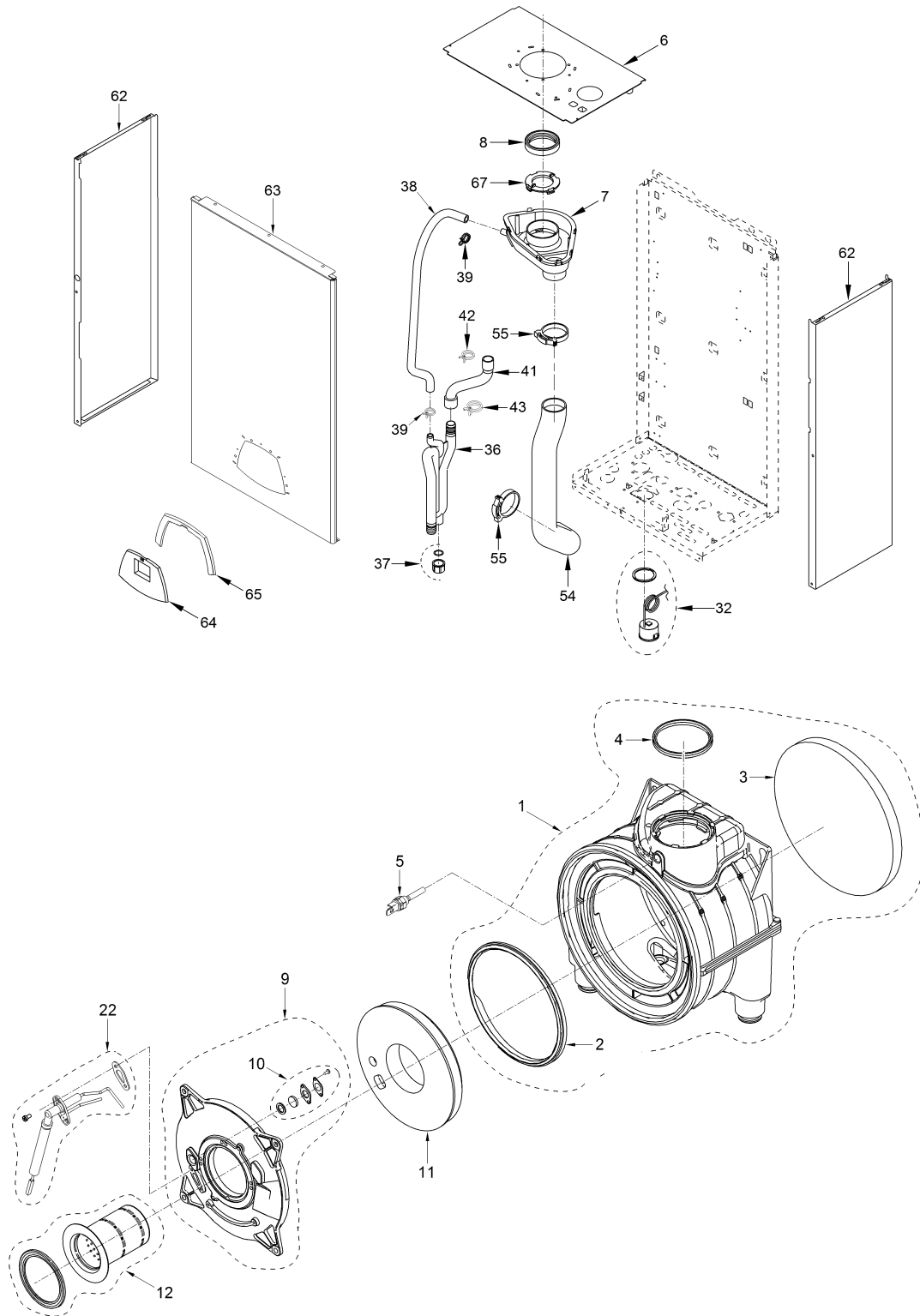
Fonderie Sime S.p.A. - Via Garbo, 27 - 37045 Legnago (VR) - [www.sime.it](http://www.sime.it)  
Tribunale Verona 13531 - R.E.A. VR 171357 - C.C.P. 19423375 - N° Mecc. VR 014435  
Capitale Sociale Euro 5.521.200 int. versato - Codice Fiscale/Partita IVA n. IT 01275930236

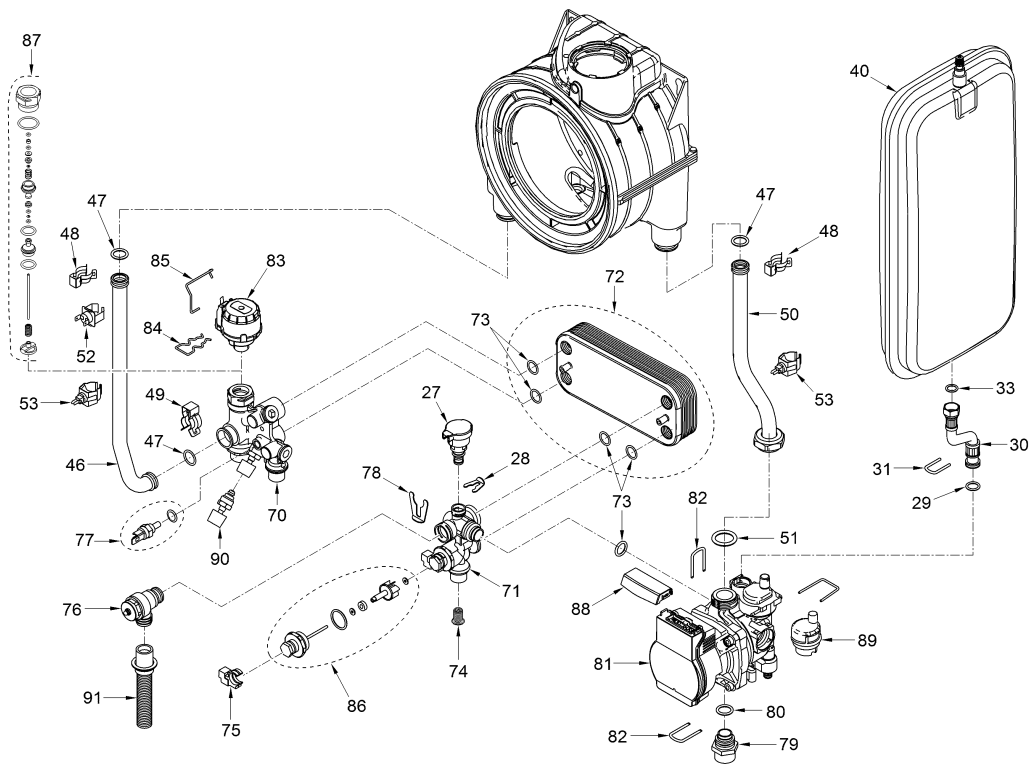
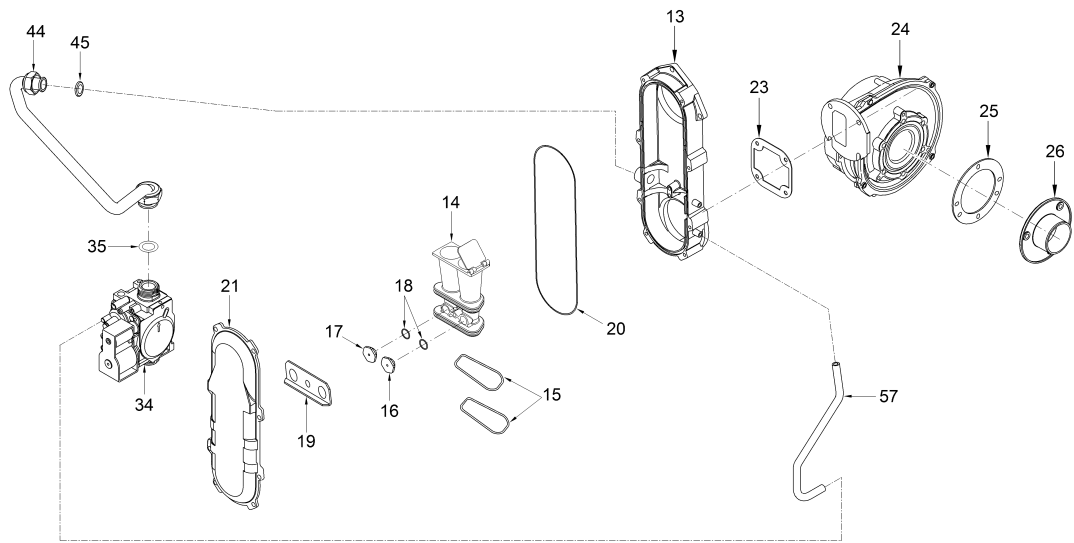
Comfort Ambiente - Via Garbo, 27 - 37045 Legnago (VR)

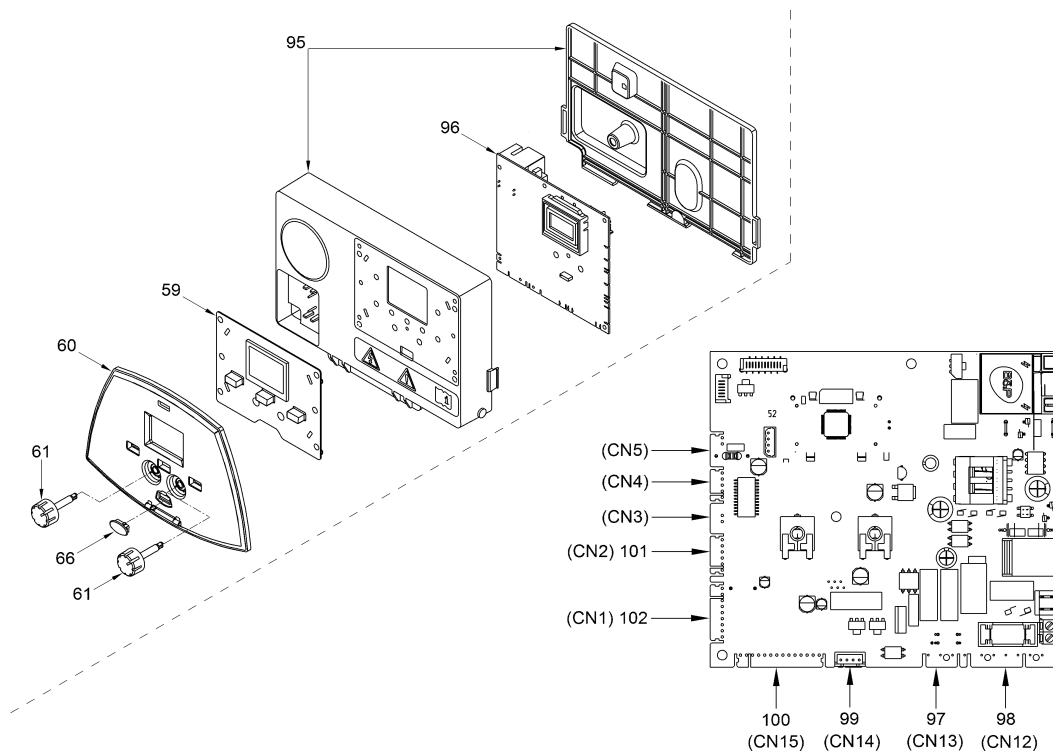
Tel +39 0442 631111 - Fax Servizio Commerciale: Italia +39 0442 631291 - Estero +39 0442 631293

Fax Servizio Tecnico +39 0442 631292 - Fax Ufficio Acquisti +39 0442 631292 - Fax Amministrazione +39 0442 631336

8116720 EDEA HM 25 (GR)







**ATTENTION:** use only original spare parts. Failure to comply with the above may compromise the safety of the device and the immediate forfeiture of the warranty.

Position	Code	Description	Where used	Advised parts
001	6278971	Heat exchanger gas-water		
002	6326953	Sealing		
003	6326951	Rear insulation + springs		
004	6248876	Smoke outlet gasket ø80 mm		
005	6277130	Probe NTC D.4X40		A
006	6291162	Upper protection shield		
007	6278706	Smoke chamber		
008	6248855	P.C. inlet/outlet smokes gasket		
009	5188364	Main exchanger door		
010	6211794	Peephole kit + gasket		
011	6269034	Insulation		
012	8076125	Burner + gasket kit		
013	6278813	Air-gas hose lower side		
014	5200303	Air/gas mixer assembly		
015	6226470	ORing 52,07 x 2,62		
016	6322310	Round nozzle Ø 3,20		
017	6322359	Hexagonal nozzle Ø 3,40		
018	6226403	O-ring 2031		
019	6267119	Nozzle locking bracket		
020	6226465	O-ring Ø 183,83x2,62		
021	6278812	Air-gas hose upper side		
022	6281609	Ignit.-ionis.electrode +gasket		A
023	6174816	Gasket for fan flange		
024	6261408	Fan	TO SN 5121301403	A
024A	6281685	Fan + instruction sheet	FROM SN 5121301404	A
025	6028703	Gasket for duct flange		
026	6083056	Duct flange 50		
027	6273608	Water pressure transducer		A
028	6226639	Spring clip		
029	6226476	ORing diam.15x2		
030	6017405	Flexible pipe M.F. 3/8" L=300		
031	6226643	Pipe fixing spring		
032	6281716	Hydrometer + spring		
033	2030226	Gasket Ø 10,2x14,8x2		
034	6243840	Gas valve		A
035	2030228	Gasket Ø 17x24x2		
036	6277211	Water trap		
037	5171635	Cap + gasket for water trap kit		
038	1010215	Rubber pipe dia. 15x2,5	L=0,5 METRI	
039	2051120	Clamp diam. 17,3		
040	5183729	Rectang. expans.vessel 9 l. 3/8		
041	6034155	Condensate drainage pipe		
042	2051122	Clamp		

043	2051123	Clamp diam.	
044	6277479	Pipe connecting gas valve	
045	2030255	Gasket Ø 12,5x18,5x3	
046	6227486	Flowing pipe to C.H. system	
047	6226412	O-ring 3068	A
048	6226619	Spring for heat exchanger conne	
049	6226601	Spring for heat exchanger conne	
050	6227548	Return pipe from C.H. system	
051	2030267	Piracriten gasket Ø 30x17x2	
052	6146729	100°C safety stat	A
053	6231372	Temperature sensor	A
054	6001174	Air intake pipe 55	
055	2051252	Hose clamp Ø 53-57	
057	1010209	Silicon pipe Ø 8x1.5	L=0,3 METRI
059	6329900	Rubber button	
060	6329800	Interface panel	
061	6290170	Knob Ø 20	
062	6304480	casing left/right side panel	
063	6304251	Casing front panel	
064	6281730	Door for front panel	
065	6299760	Frame for front panel	
066	6329960	Rubber cap	
067	6028663	Smoke exhaust diaphragm D.34	
070	6265870	C.H. flow manifold	
071	6265832	C.H. return manifold	
072	6319690	kit 12 plate heat exchanger + o	
073	6226475	ORing diam.18,64x3,53	
074	6222003	D.H.W. filter	
075	6131440	Flowmeter sensor	
076	6040226	Pressure relief valve 1/2" 3 ba	A
077	6281519	Plunged sensor + gasket	A
078	6226645	Spring clip	
079	6120560	Pump nipple 3/4"	
080	6226475	ORing diam.18,64x3,53	
081	6330401	Modulating circulating pump	
082	6226644	Spring clip for rotating connec	
083	6087332	Motor for diverting valve	
084	6226636	D.H.W. elektrovalve fix.spring	
085	6226638	Divertor valve motor spring cli	
086	6319644	Flowmeter group	
087	6319645	Three-way plates group	
088	6319647	Circulateur top cover	
089	6013182	Automatic air vent	
090	6319639	Filling cock	
091	6034131	Flexible pipe	
095	6304720	Control panel	
096	6324982	Main P.C.B	A
097	6329610	4 pole cable connector CN13	
098	6323875	6 pole cable connector CN12	
099	6329611	4 pole cable connector CN14	
100	6325811	14 pole cable connector CN15	
101	6329457	6 pole cable connector CN2	
102	6325671	9 pole cable connector CN1	
700	5202582	Complete control panel	A
705	5185153	L.P.G. conversion kit	
706	5185157	G25,1 conversion kit	
707	5185158	G230 conversion kit	
708	5185160	Conversion kit for natural gas	

A = Spare parts for minimum fittings